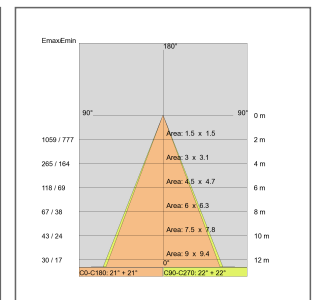
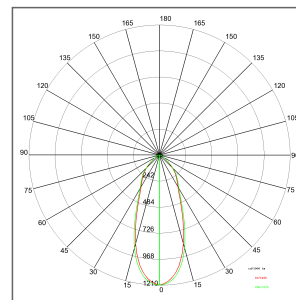


**NET SC XS**  
COD: 5695-MLBN-40

Use:  
inside, led  
Installation:  
Ceiling recessed  
Recessed hole:  
Recessed hole diam.110 mm. Recessed thickness 5-30 mm.  
Fixing system:  
Adjustable brackets supplied  
Body/structure:  
Steel body  
Coating:  
Epoxy powder coating for inside use  
Colour:  
White  
Optic/reflector:  
Polycarbonate metallized reflector  
Cable gland:  
Nylon 66 cable locks  
Control gear:  
Not included; to be ordered separately

Current:	500mA dc
Beam angle:	Simmetric flood beam 40 Degrees
Insulation class:	Insulation class 3
Weight:	0,450 kg
IP rating:	20
Glow wire:	[650 °C]
Lamp included:	Yes
Kind of led:	Power LED
Lamp wattage:	9 W
Lamp luminous flux:	900 lm
Colour temperature:	4000
CRI:	80

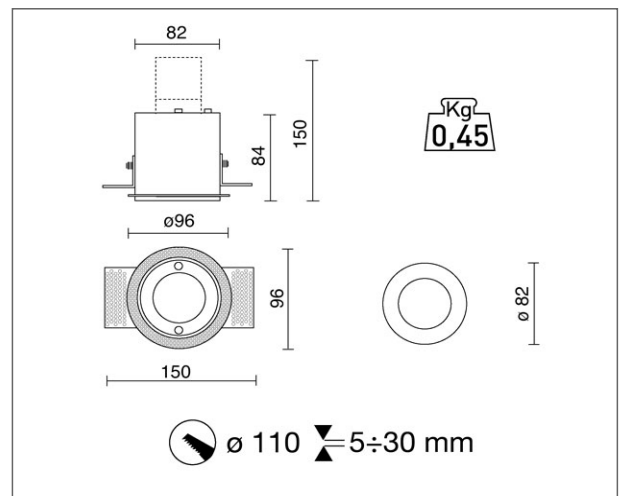
Review board: 24-06-2014



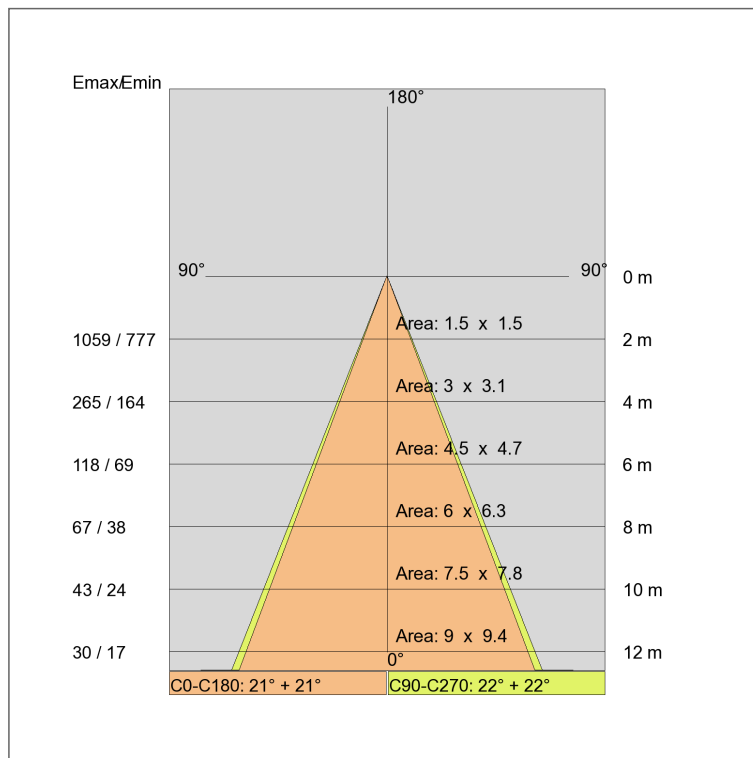
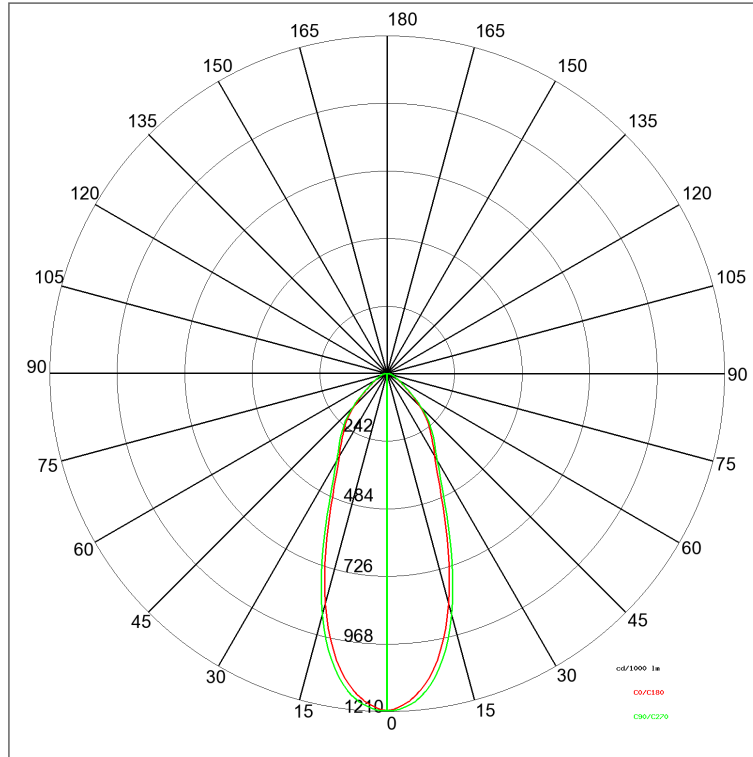
Lamp: 1 x LED +/- 9 W 900 lm



500mA dc **IP 20** **A+**



**NET SC XS**  
COD: 5695-MLBN-40



NET SC XS  
COD: 5695-MLBN-40

